

Swivel Clamp Connectors

Aluminum

SPECIFICATION

Types

- Type **OZ**: Without centering step (smooth)
- Type **MZ**: With centering step
- Type **AV**: With external serration
- Type **IV**: With internal serration

Identification No.

No. **2**: With stainless steel socket cap screw DIN 912

Aluminum

- Powder coated
Black, RAL 9005, textured finish **SW**
- Plain, matte shot-blasted **BL**

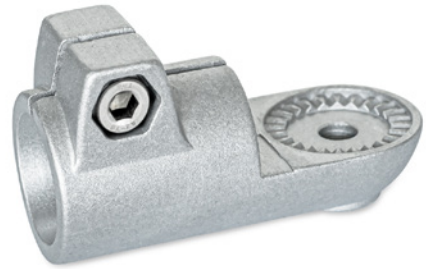
Socket cap screws DIN 912

Stainless Steel AISI 304

Hex nuts DIN 985

Stainless Steel AISI 304

Self-locking via polyamide ring



INFORMATION

The clamping bore of swivel clamp connectors GN 276 is mechanically machined and designed for construction tubes GN 990 (see page 1902) or DIN 2391, DIN 2395 and DIN 2462.

At the screw location **z**, the socket cap screw reduces the bore cross-section for clamping. For clamping without tools, the socket cap screw can be replaced by an adjustable hand lever GN 911 (see page 1874) listed in the table as accessory.

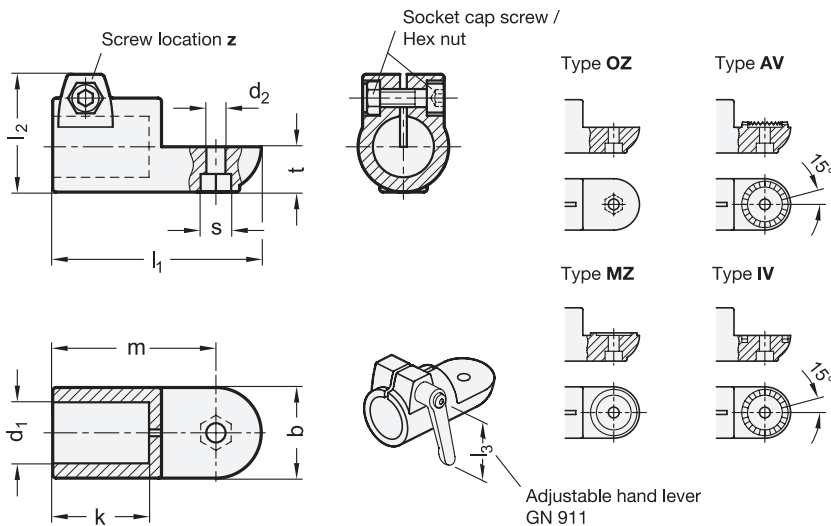
Swivel clamp connectors GN 276 can be combined with swivel clamp connectors GN 272 (see page 1848), GN 274 (see page 1850) or GN 278 (see page 1856) to swivel clamp connector joints.

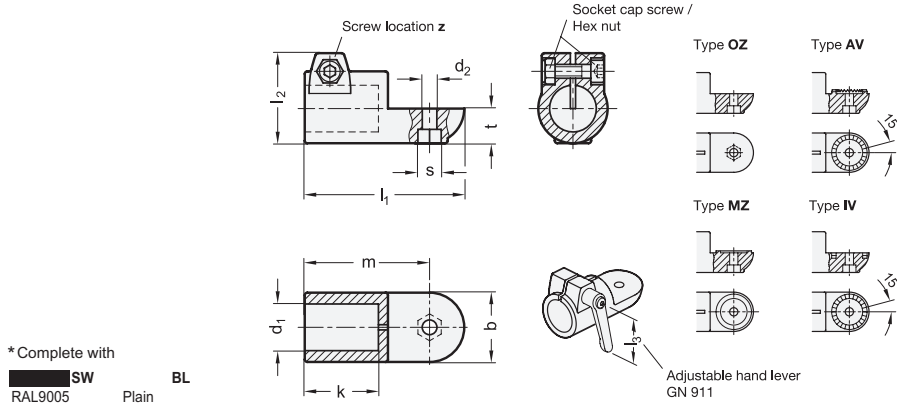
ACCESSORY

- Adjustable Hand Levers GN 911 (see page 1874)

TECHNICAL INFORMATION

- Stainless Steel Characteristics (see page A26)





GN 276-OZ

Description	d ₁ Bore	b	d ₂	k	l ₁	l ₂	m	s	t	z Screw location	Accessory Recom. hand lever GN 911 for z l ₃	⚖
GN 276-B20-OZ-2-*	B 20	40	8.5	42.5	92	52	72	13	20	M8-25	-	210
GN 276-B25-OZ-2-*	B 25	40	8.5	42.5	92	52	72	13	20	M8-25	63 78	185
GN 276-B30-OZ-2-*	B 30	40	8.5	42.5	92	52	72	13	20	M8-25	63 78	160
GN 276-B40-OZ-2-*	B 40	65	10.5	74	148	77.5	115	17	32.5	M10-50	-	775
GN 276-B42-OZ-2-*	B 42	65	10.5	74	148	77.5	115	17	32.5	M10-50	-	750
GN 276-B45-OZ-2-*	B 45	65	10.5	74	148	77.5	115	17	32.5	M10-50	78 92	725
GN 276-B48-OZ-2-*	B 48	65	10.5	74	148	77.5	115	17	32.5	M10-50	78 92	675
GN 276-B50-OZ-2-*	B 50	65	10.5	74	148	77.5	115	17	32.5	M10-50	78 92	650

GN 276-MZ

Description	d ₁ Bore	b	d ₂	k	l ₁	l ₂	m	s	t	z Screw location	Accessory Recom. hand lever GN 911 for z l ₃	⚖
GN 276-B20-MZ-2-*	B 20	40	8.5	42.5	92	52	72	13	20	M8-25	-	210
GN 276-B25-MZ-2-*	B 25	40	8.5	42.5	92	52	72	13	20	M8-25	63 78	190
GN 276-B30-MZ-2-*	B 30	40	8.5	42.5	92	52	72	13	20	M8-25	63 78	160
GN 276-B40-MZ-2-*	B 40	65	10.5	74	148	77.5	115	17	32.5	M10-50	-	765
GN 276-B42-MZ-2-*	B 42	65	10.5	74	148	77.5	115	17	32.5	M10-50	-	755
GN 276-B45-MZ-2-*	B 45	65	10.5	74	148	77.5	115	17	32.5	M10-50	78 92	705
GN 276-B48-MZ-2-*	B 48	65	10.5	74	148	77.5	115	17	32.5	M10-50	78 92	665
GN 276-B50-MZ-2-*	B 50	65	10.5	74	148	77.5	115	17	32.5	M10-50	78 92	630

GN 276-AV

Description	d ₁ Bore	b	d ₂	k	l ₁	l ₂	m	s	t	z Screw location	Accessory Recom. hand lever GN 911 for z l ₃	⚖
GN 276-B20-AV-2-*	B 20	40	8.5	42.5	92	52	72	13	20	M8-25	-	210
GN 276-B25-AV-2-*	B 25	40	8.5	42.5	92	52	72	13	20	M8-25	63 78	190
GN 276-B30-AV-2-*	B 30	40	8.5	42.5	92	52	72	13	20	M8-25	63 78	165
GN 276-B40-AV-2-*	B 40	65	10.5	74	148	77.5	115	17	32.5	M10-50	-	770
GN 276-B42-AV-2-*	B 42	65	10.5	74	148	77.5	115	17	32.5	M10-50	-	755
GN 276-B45-AV-2-*	B 45	65	10.5	74	148	77.5	115	17	32.5	M10-50	78 92	715
GN 276-B48-AV-2-*	B 48	65	10.5	74	148	77.5	115	17	32.5	M10-50	78 92	665
GN 276-B50-AV-2-*	B 50	65	10.5	74	148	77.5	115	17	32.5	M10-50	78 92	660

GN 276-IV

Description	d ₁ Bore	b	d ₂	k	l ₁	l ₂	m	s	t	z Screw location	Accessory Recom. hand lever GN 911 for z l ₃	⚖
GN 276-B20-IV-2-*	B 20	40	8.5	42.5	92	52	72	13	20	M8-25	-	200
GN 276-B25-IV-2-*	B 25	40	8.5	42.5	92	52	72	13	20	M8-25	63 78	180
GN 276-B30-IV-2-*	B 30	40	8.5	42.5	92	52	72	13	20	M8-25	63 78	155
GN 276-B40-IV-2-*	B 40	65	10.5	74	148	77.5	115	17	32.5	M10-50	-	760
GN 276-B42-IV-2-*	B 42	65	10.5	74	148	77.5	115	17	32.5	M10-50	-	740
GN 276-B45-IV-2-*	B 45	65	10.5	74	148	77.5	115	17	32.5	M10-50	78 92	700
GN 276-B48-IV-2-*	B 48	65	10.5	74	148	77.5	115	17	32.5	M10-50	78 92	655
GN 276-B50-IV-2-*	B 50	65	10.5	74	148	77.5	115	17	32.5	M10-50	78 92	650

Weight SW

